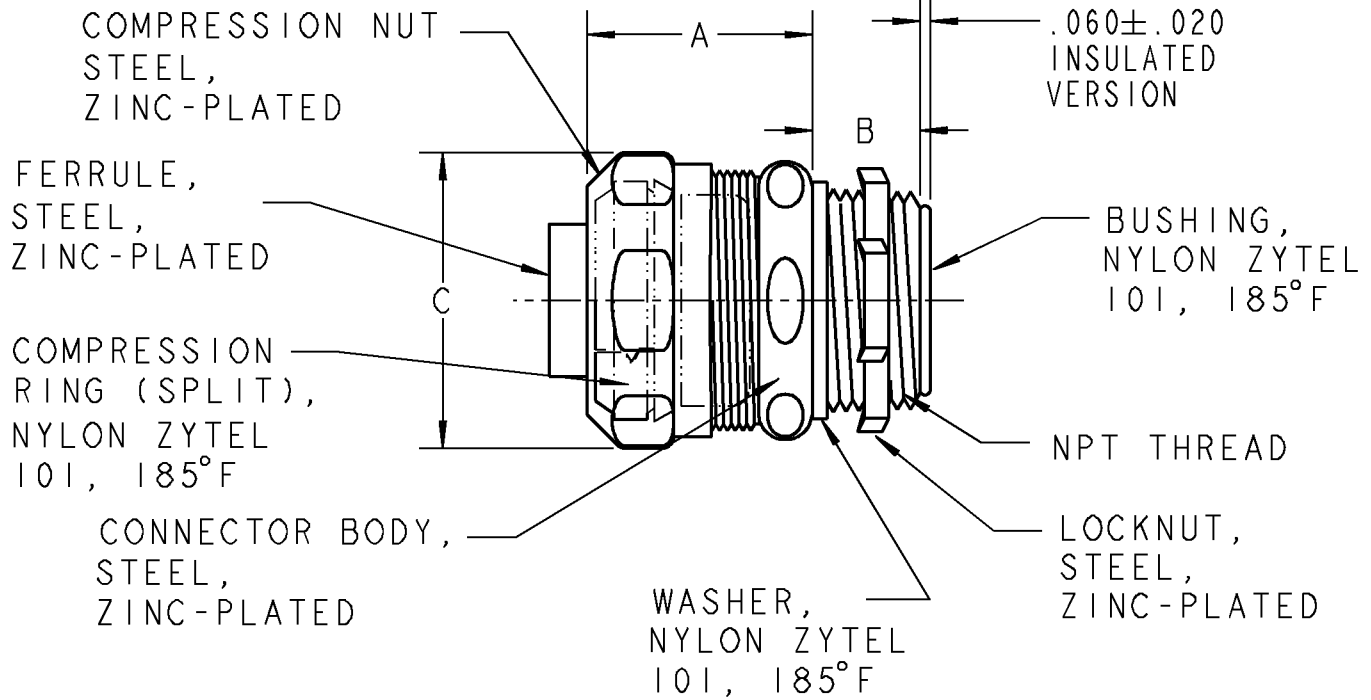




# Steel City



3/8" TO 2" TUBULAR STEEL CONNECTORS, SEE SHEET 2 FOR SIZES 2-1/2" TO 4".

NON-INSULATED	INSULATED					
CATALOG NO.	CATALOG NO.	SIZE	NPT	A±.031	B±.031	C±.031
LT38-SC	LT38T-SC	3/8	1/2-14	.980	.500	1.140
LT50-SC	LT50T-SC	1/2	1/2-14	1.100	.470	1.300
LT75-SC	LT75T-SC	3/4	3/4-14	1.140	.590	1.560
LT100-SC	LT100T-SC	1	1-11 1/2	1.300	.650	1.850
LT125-SC	LT125T-SC	1-1/4	1 1/4-11 1/2	1.400	.650	2.250
LT150-SC	LT150T-SC	1-1/2	1 1/2-11 1/2	1.400	.700	2.500
LT200-SC	LT200T-SC	2	2-11 1/2	1.500	.800	3.000

**GENERAL NOTES**

- ALL DIMENSIONS ARE FOR REFERENCE ONLY.
- DIMENSIONS IN BRACKETS [ ] ARE IN METRIC UNITS.

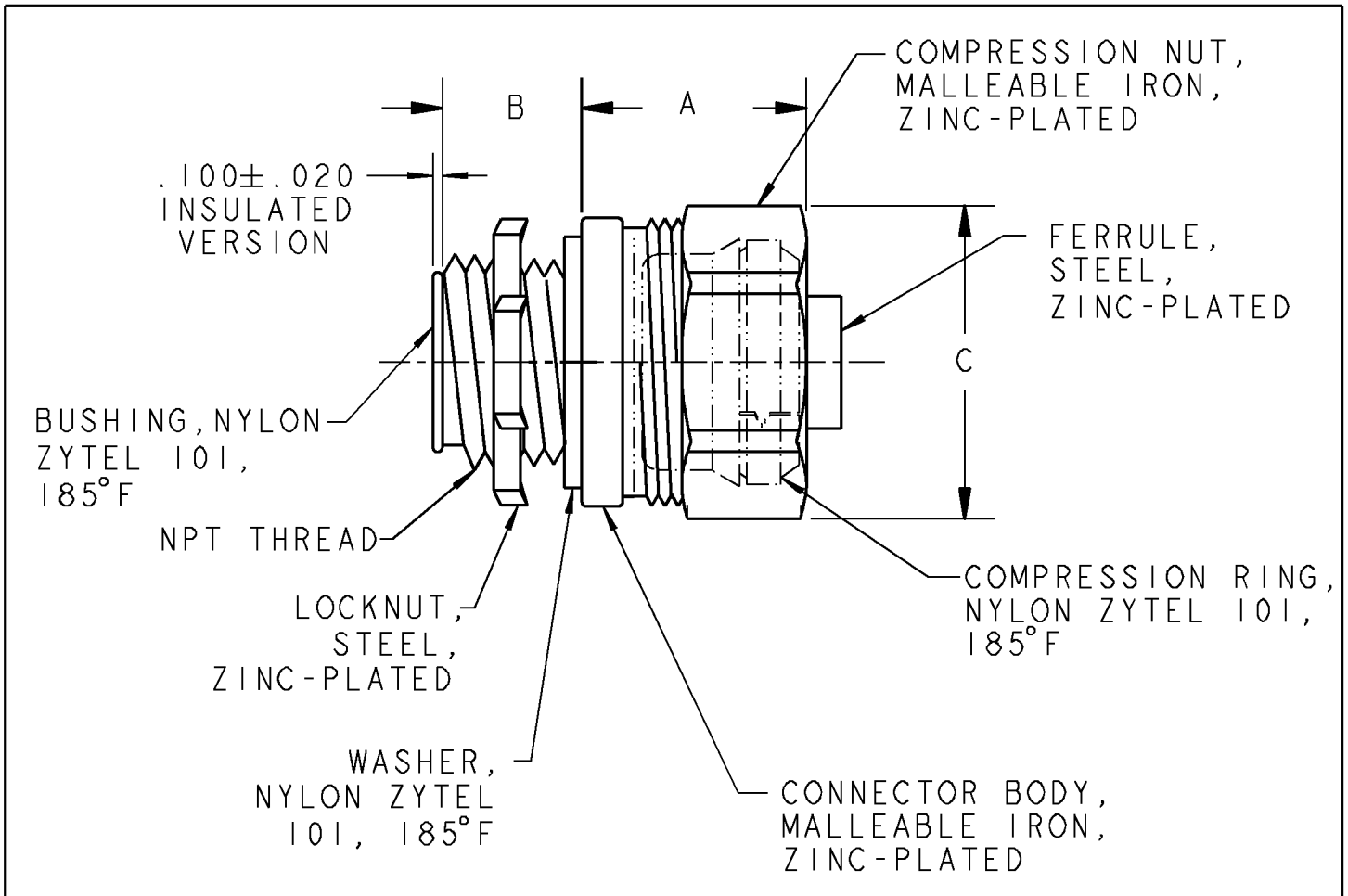
**REVISIONS**

- |   |   |
|---|---|
| 1 | SEE ERN ( 2015699 ) FOR APPROVAL SIGNATURES & RELEASE DATE.<br>PROJECT NO: 011P000559 |
|---|---|

**Thomas & Betts**  
A Member of the ABB Group

DESCRIPTION: **3/8" TO 4", STEEL & MALLEABLE IRON, STRAIGHT LIQUIDTIGHT FITTINGS, STEEL CITY**

ORIGINAL PROJECT NO / ( ERN NO ) <b>011P000559 / ( 2015672 )</b>	SHEET NO: <b>1 OF 2</b>	REV. NO: <b>1</b>	DRAWING NO: <b>WSD-001293</b>
---	----------------------------	----------------------	----------------------------------



2-1/2" TO 4" MALLEABLE IRON CONSTRUCTION.

NON-INSULATED	INSULATED					
T&B CAT NO.	T&B CAT NO.	SIZE	NPT	A ± .062	B ± .062	C ± .062
LT250-SC	LT250T-SC	2-1/2	2 1/2-8	2.150	1.050	4.040
LT300-SC	LT300T-SC	3	3-8	2.400	1.150	4.840
LT350-SC	LT350T-SC	3-1/2	3 1/2-8	2.800	1.200	5.530
LT400-SC	LT400T-SC	4	4-8	3.130	1.250	6.120

**Thomas & Betts**  
A Member of the ABB Group

DESCRIPTION: **3/8" TO 4", STEEL & MALLEABLE IRON, STRAIGHT LIQUIDTIGHT FITTINGS, STEEL CITY**

SHEET NO:  
2 OF 2

REV. NO:  
1

DRAWING NO:  
WSD-001293